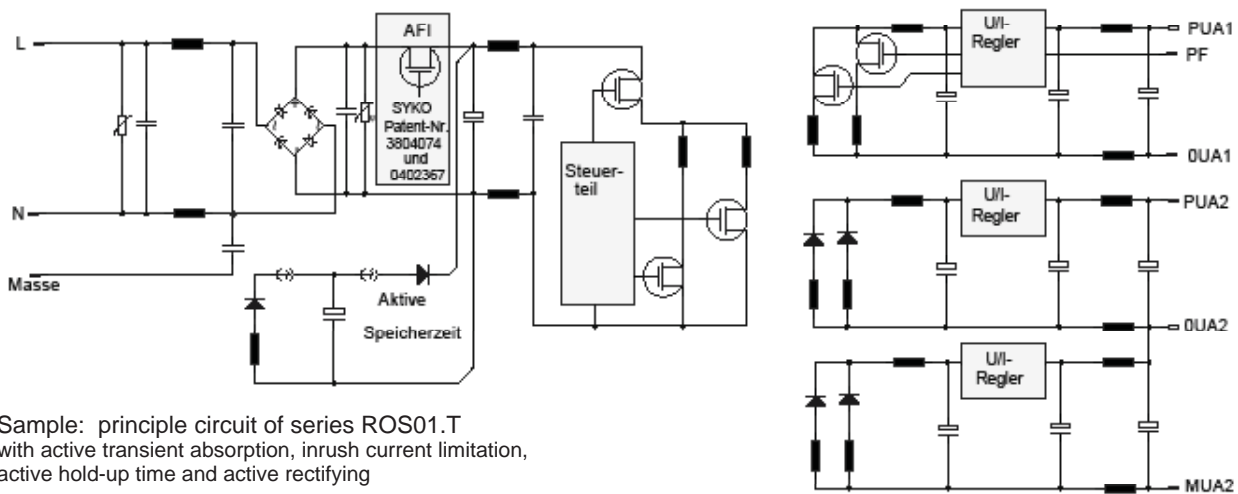


Product line F's power supplies work with 16-400Hz AC-networks and the most power supply families can additionally deal with an DC-input voltage range. This universal input range combined with the offered ultra wide input voltage range gives the opportunity to solve world wide logistic problems. This power supplies are used universally in worldwide projects. Shock, vibration strength and temperature ranges of $-35 / + 85^{\circ}\text{C}$ are available. Optionally available are radiation tolerant types. The supplies can be switched over between normal AC-operation and UPS DC-operation. In SYKO's power supply families with active hold-up time, the bridging time is constant over the whole input voltage range starting from the minimum U_{in} . To prevent high inrush currents by chattering re-start situations (hot NTC) SYKO uses its patent of an active filter for:

- Inrush current limitation ICL
- Transient absorption TK

Multi stage topologies allow high flexible functionality, extreme input voltage ranges, multiple low voltage as well as high voltage outputs and their combination, high long term transient strength, surge protection, crosswise independent outputs, high efficiencies and so on. Today a universal input voltage range of 18-360VDC / 28-264VAC or 75-560VDC / 82-520 VAC plus long term / short-term transients are unproblematically offered. PFC-inputs for 16 2/3 Hz and 400 Hz on two or three phase networks are increasingly offered.



Sample: principle circuit of series ROS01.T with active transient absorption, inrush current limitation, active hold-up time and active rectifying

Combination brings functionality!

- **Multi step topologies**
- **Active transient protection**
- **Active inrush current limitation**
- **Active hold-up time**
- **Extreme interference protected**
- **High functional security**
- **Universal input voltage range DC and AC**
- **Very wide input voltage range**
- **Single and multiple outputs**
- **User defined air and creepage distances**
- **Very good EMC**
- **Reliable system suitability**

Converter family	P _o W	U _i range in V DC / AC	Quantity Outputs	build-up / style		Special features
EWS01	12	18-350 / 40-264	1, 2, 3	DIN rail module	in housing	Active hold-up time
EWS03	30	36-360 / 40-264	1, 3	19" cassette style	open	Active hold-up time
NMO	30	70-350 / 82-264	1, 2, 3	PCB-module	open	screw-on type
ROS06	40	75-560 / 82-528	1, 2, 3	19" cassette style	3U / 8TE	also for 400V Ph-Ph
EWS04	50	40-360 / 82-264	2	PCB-module	open	screw-on type
ROS01/04	60	40-320 / 82-264	1, 2, 3	19" cassette style	3U / 8TE	Active hold-up time
ROS07	60	120-320 / 82-264	1	19"-Einsch./Chassis	3HE / 6TE	PFC
ROS02	120	110-220 / 82-264	1	19" cassette style	3U / 9TE	
AEA02	200	90-360 / 82-264	4	19" cassette style	6U / 9TE	Active hold-up time
PMW03	300	90-350 / 82-264	1	19"-Einsch./Chassis	3U / 14TE	PFC