

Single output
up to 60 Watt

UC/DC-wide range-
power supplies isolated



- For applications on 115 and/or 230V AC
- EN 55022.B / EN61000-4-4/5 level 3
- Short circuit, no-load, over load protected
- 7,2 mm air and creepage distances
- Hold-up time 100ms = f(Ta/ΔC/aging)
- Active Inrush current limitation
- CE - conformity on request
- Power factor regulation > 0,98
- Use on „weak“ sources
- Universal range for 110/220V_{DC}

für Industry / Telecom / Installations / Railway



© registered trademark of company SYKO GmbH & Co. KG

Series ROS 07

Main points:

Outputs:

- Accuracy absolute $\pm 1\%$
- Regulation $\pm 1\% \Sigma(U_{in} / I_{out} / T_{U})$
- Short circuit current $\leq 1,2 I_{nom}$
- No-load, static over load protected
- Ripple <10 mV_{pp} (const. over T_U)
- Spikes <50 mV_{pp} (T 1:1/50MHz)
- Response time $\Delta I = 50\% \leq 250 \mu s$
- Power Fail (aktiv low)

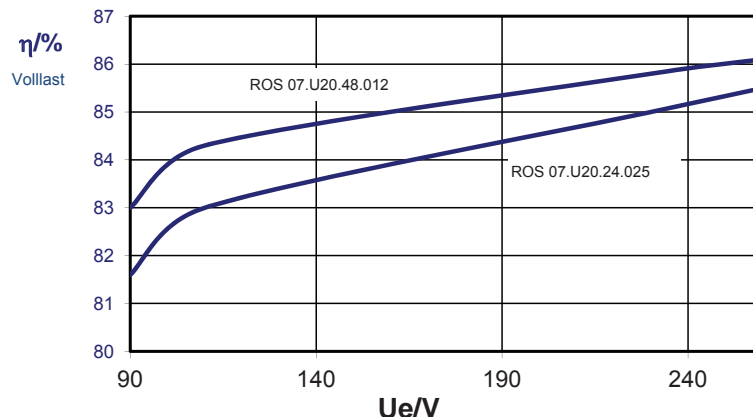
Input:

- Universal input voltage range
- Integrated input fuse
- Input filter EN 55011 curve B
- Disturbance protection
EN61000-4-4 (Burst) level 3
EN61000-4-5 (Surge) level 3
- Active Transient protection (SYKO-patent)

General:

- Isolation test voltage
Input - output 3,75 KV AC / 7,2mm
Input - Ground 2,5 KV AC / 4mm
Output - Ground 2,5 KV AC / 4mm
- CE conformity proofed
- Ambient temperature -20°C / +60°C
Option -40°C / +85°C
- Derating 1,5%/°C >60°C
- Free air convection
- MTBF on request
- Weight approx. 800 g
- Style Euro card 160 x 100 mm²
- Height 6 TE front panel (Option)
- Connector DIN 41612, 15-pol., style H
- Option C:
Chassis mounting 175x126x50mm
connection with spring clamps

<u>U_{in}</u> V	<u>U_{out}</u> V	<u>I_{out}</u> A	Model number
19" rack version			
82 - 264 V AC	5,1	12,0	ROS 07-U 20·05·120
120 - 320 V DC	12	5,0	ROS 07-U 20·12·050
	15	4,0	ROS 07-U 20·15·040
	24	2,0	ROS 07-U 20·24·020
	48	1,5	
Chassis mounting			
82 - 264 V AC	5,1	12,0	ROS 07-U 20·05·120 C
120 - 320 V DC	12	5,0	ROS 07-U 20·12·050 C
	15	4,0	ROS 07-U 20·15·040 C
	24	2,0	ROS 07-U 20·24·020 C
	48	1,5	
Modification costs for possible changes above values:			on request



Single output bis 60 Watt

UC/DC-wide range-power supplies isolated



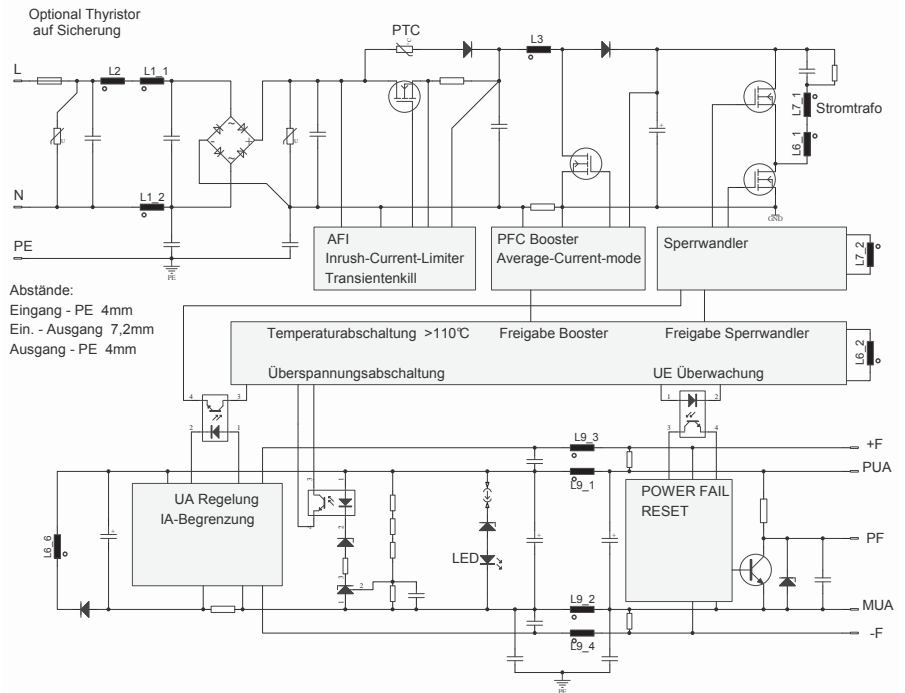
The **ROS 07** series is designed with universal input voltage range of 120V_{DC}/ 90V_{AC} - 264V_{AC}/ 320V_{DC} without switch-over for the worldwide use in automation, telecommunications and telecontrol or network control technology.

With this wide input voltage range the power supply can universally work on all standard AC-network voltages and additionally on 110V and 220VDC networks.

An input sided active transient protection filter AFI prevents the breakthrough of dynamical switch-on flanks to the hold-up and chopping capacitors. In combination with varistors the surge pulses in acc. to the EN61000-4-5 level 3 (option level 4) standards are kept.

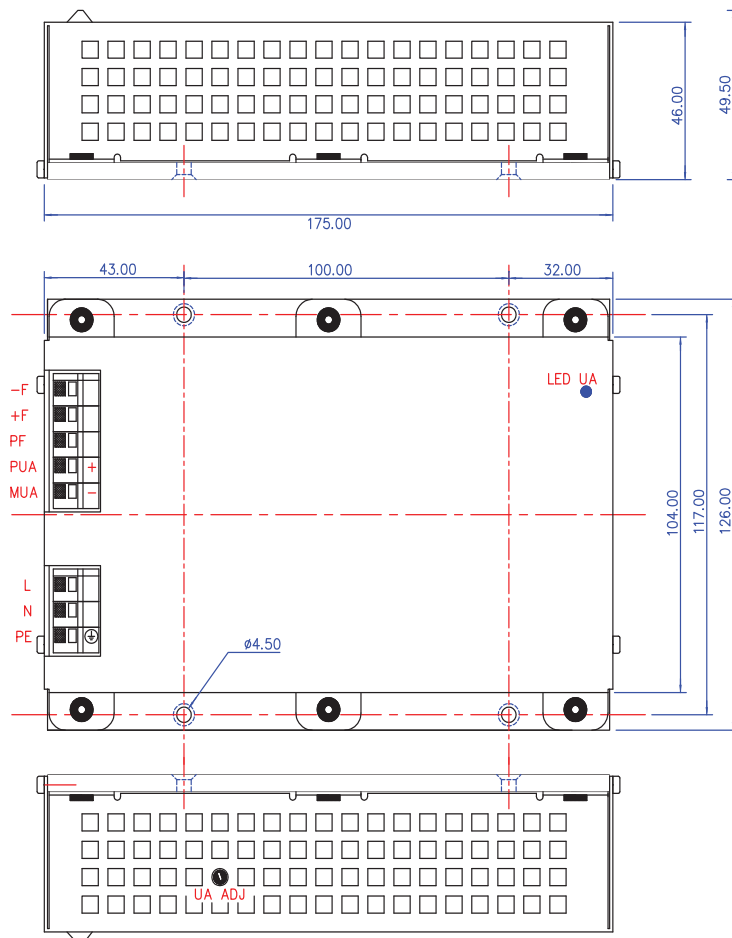
Differential inrush currents are actively limited and transients are absorbed.

The switching topology and the special designed transformers allow output sided any amplitude and combination (3V-200V) and amount (>6) of output voltages optionally.



© registered trademark of company SYKO GmbH & Co. KG

Mechanic



Alternatively the ROS 07 series can be ordered as 19" rack solution as euro card for an optional 6TE front panel. (mechanical drawing on request)

Measurement of radio interference

